

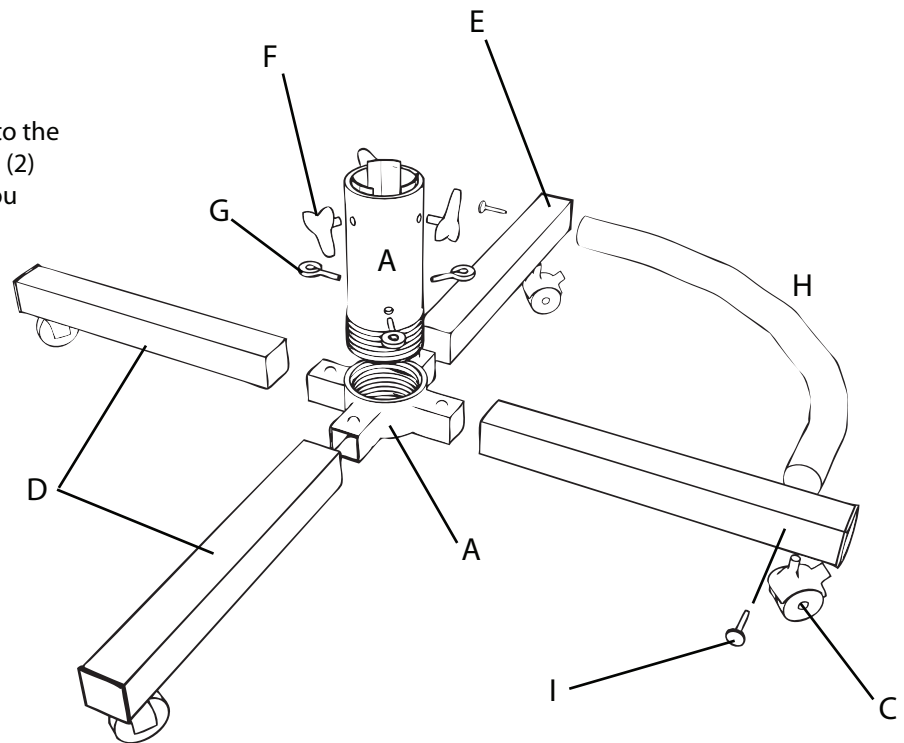
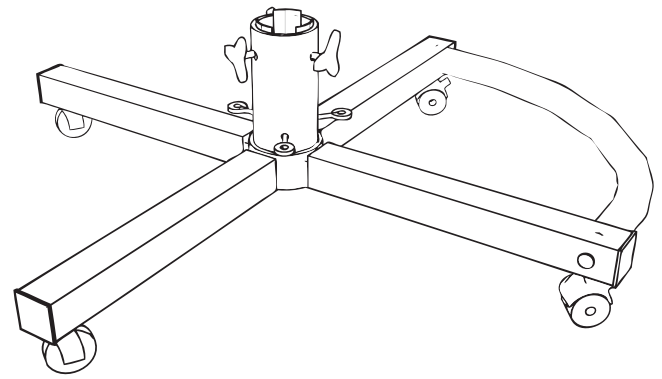
What's Included:

- 1 X Center Core (A)
- 1 X Center Collar Assembly (B)
- 2 X Locking Castors (C)
- 2 X Legs W/ Stationary Castors (D)
- 2 X Legs for Locking Castors (E)
- 3 X Star Bolts (F)
- 3 X Bottom Support Bolts (G)
- 1 X Round Support Handle (H)
- 2 x Round Support Handle Screws (I)

Assembly: (1) Screw the locking rolling castors onto the two legs that do not already have wheels attached. (2) Attach all four legs to the center core. Make sure you position the two legs w/ stationary castors on the appropriate legs of the core as to make sure they are positioned correction to lean to one side while in use (Wheels are positioned parallel to each other. (3) Push firmly on the legs to make sure they have locked into place. You will hear an audible locking sound when they are securely attached. (4) Screw the center collar assembly into the center core. Make sure the collar is tight. (5) Install the Round support (H) handle by positioning it inside the legs (E) w/ locking castors and inserting the screws (I) through the legs and into the round handle to secure. (6) Insert the three star bolts around the top of the center collar as shown. (7) If your tree is not pointed at the trunk, or does not seat all the way to the bottom of the center collar, then you can install the Bottom Support Bolts (G) to add extra support to the tree.

Attaching your TreeKeeper Bag: If your TreeKeeper bag is not already attached to the TreeKeeper Pro base, simply attach the bag to each of the four legs of the stand with the Velcro straps. (See your TreeKeeper instruction sheet for more detailed instructions)

Please contact one of our Product Specialists for assembly assistance or questions at 1-800-537-8484 or e-mail : ps@frontgate.com. Specialists are available weekdays 8:00AM to 8:00PM EST or Saturdays 9:30AM to 6:00PM.



TreeKeeperPro Stand Usage: Place the tree trunk into the support collar on the stand. Make sure that each collar section is equally tightened around the trunk of the tree. Each bolt and collar section needs to be securely tightened around the base of the tree.

Use the four bottom wheels to easily roll your tree into place. Once your tree is fully compressed and secured in the TreeKeeper storage bag, carefully lean the tree to one side and wheel away using the stationary castors.

DO NOT lean the tree and pull down stairs. The tree can be heavy and fall on you AND/OR the bottom castor wheels can be snapped off as tree is dragged from step to step.

IMPORTANT! Please Read: Be extremely careful when leaning the tree to the side. As many trees are very heavy, please be cautious to make sure you can safety maneuver and roll the size and weight of your stored tree. Also, be cautious in moving the tree laterally as the tree may tip over. URGENT: Do not attempt to lean the tree to one side when not properly stored in a TreeKeeper bag.