



Your Nova® Home Theater Furniture is engineered for easy assembly. Carefully follow this procedure to prevent any damage.

Placement and Maintenance

Nova™ Home Theater Furniture is designed for indoor use on level floors. Clean glass with glass cleaner. Clean glass with glass cleaner, and steel parts and wood veneer with a moist cloth.

Step 1

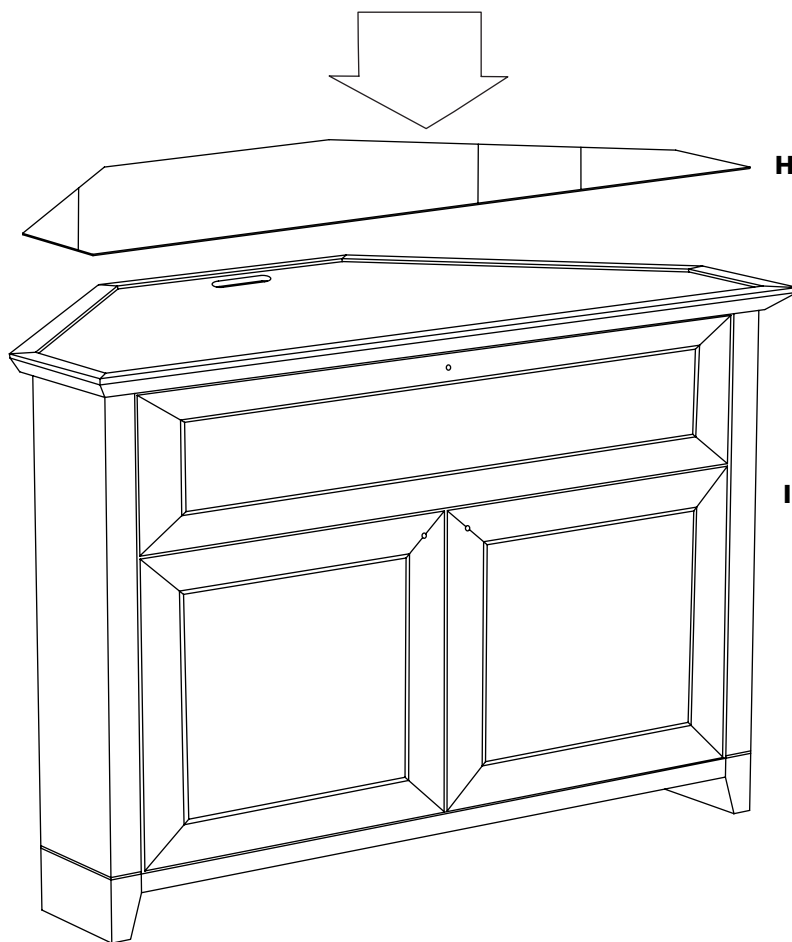
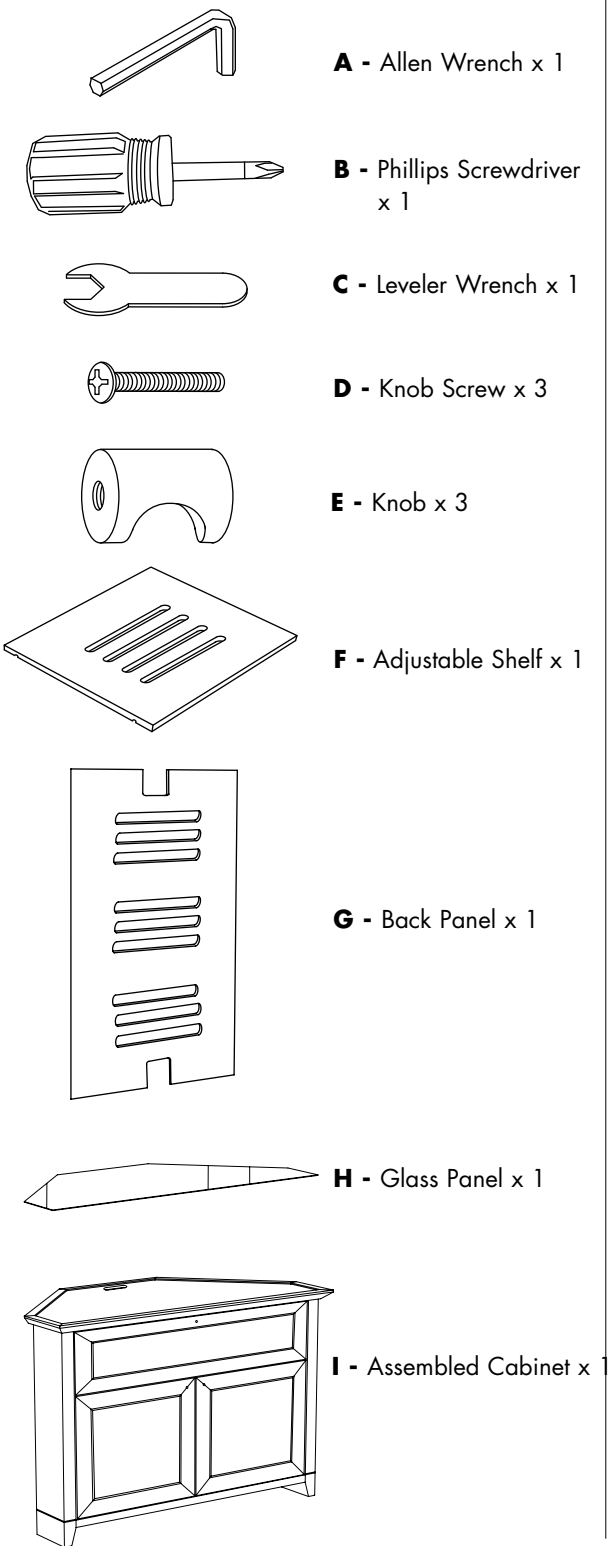
Unpack and identify the parts listed above.

The assembly workspace should be a non-marring surface such as carpet. For missing hardware pieces, please contact BDI Customer Service at: customerservice@bdiusa.com

All other concerns please contact your local BDI Retailer.

Step 2

Install **Glass Panel (H)** on top of **Assembled Cabinet (I)**.

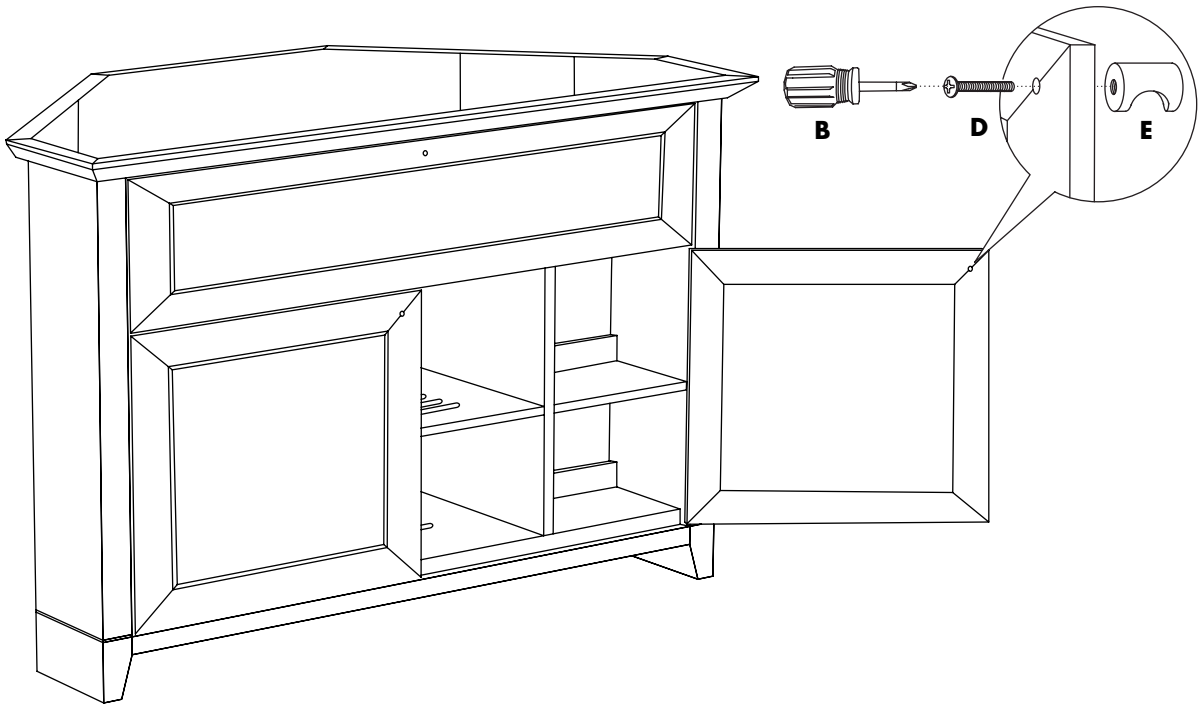


For more information about the adjustable levelers and troubleshooting assembly, be sure to check out "Fine tuning your new BDI Nova Home Theater Furniture" at the end of these instructions.

Step 3

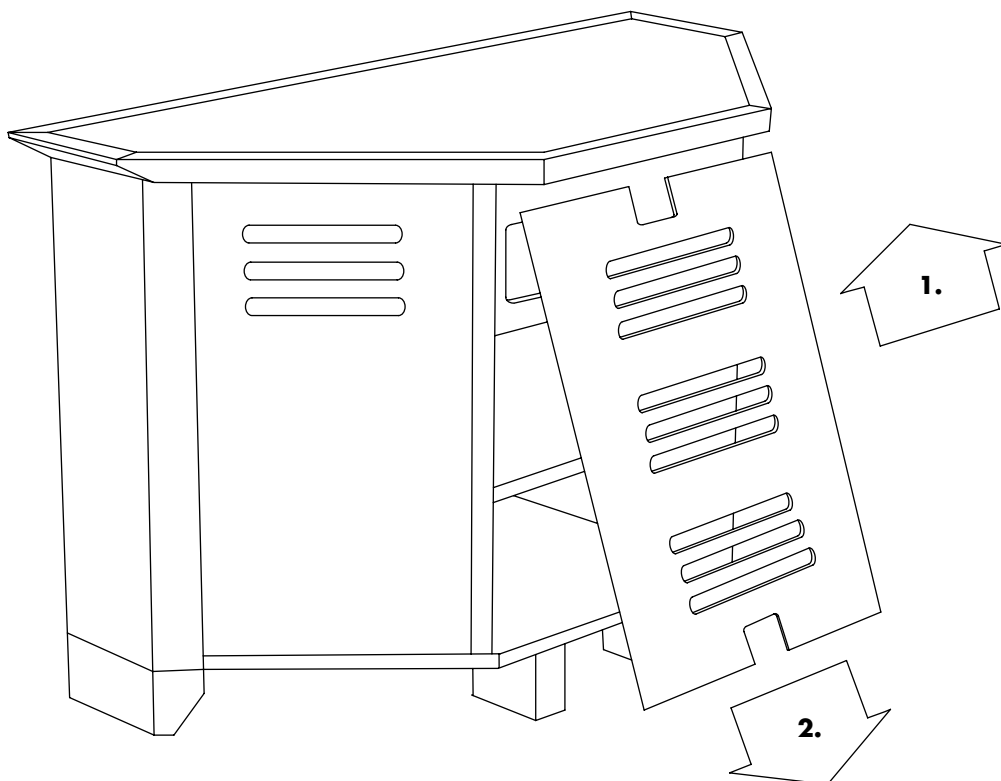
Install **Knob (E)** to the front side of door and drawer faces using **Knob Screw (D)** and **Phillips Screwdriver (B)**.

The shelf pins located inside the left and right cabinet space may be repositioned, allowing you to raise or lower the shelf to the desired level.



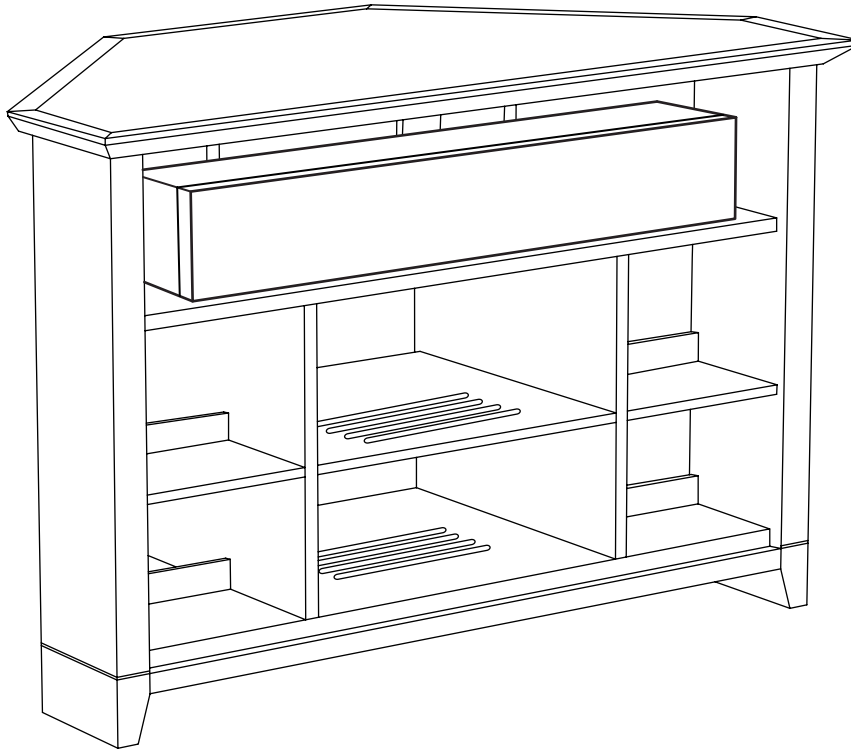
Step 4

Install **Back Panel (G)** to the rear side of cabinet. Velcro straps are included as wire management for your convenience.



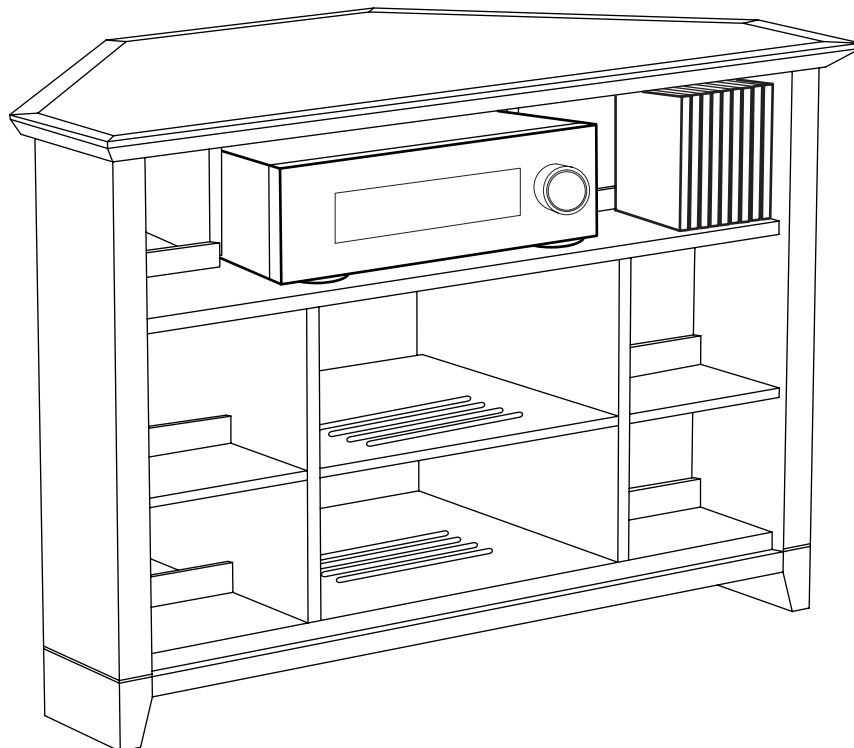
Option A

The flip-down door compartment may be used to house a center channel speaker (up to 37.5" width x 10.5" depth x 8" height).



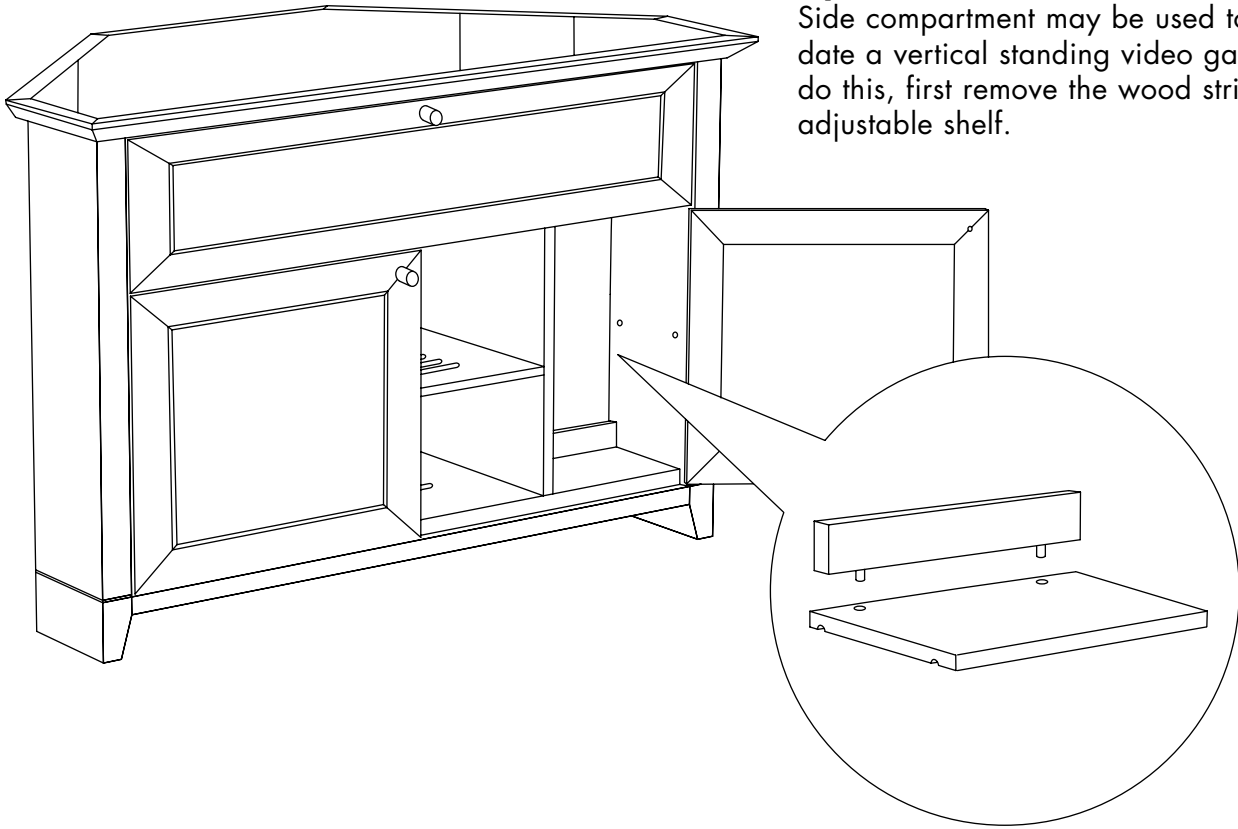
Option B

In conjunction with a center channel speaker, or component (up to 19.25" width x 15.5" depth x 8" height), this area may be used to store DVD's, VHS cassettes, and CD's. In order to do this, remove center wood strip.

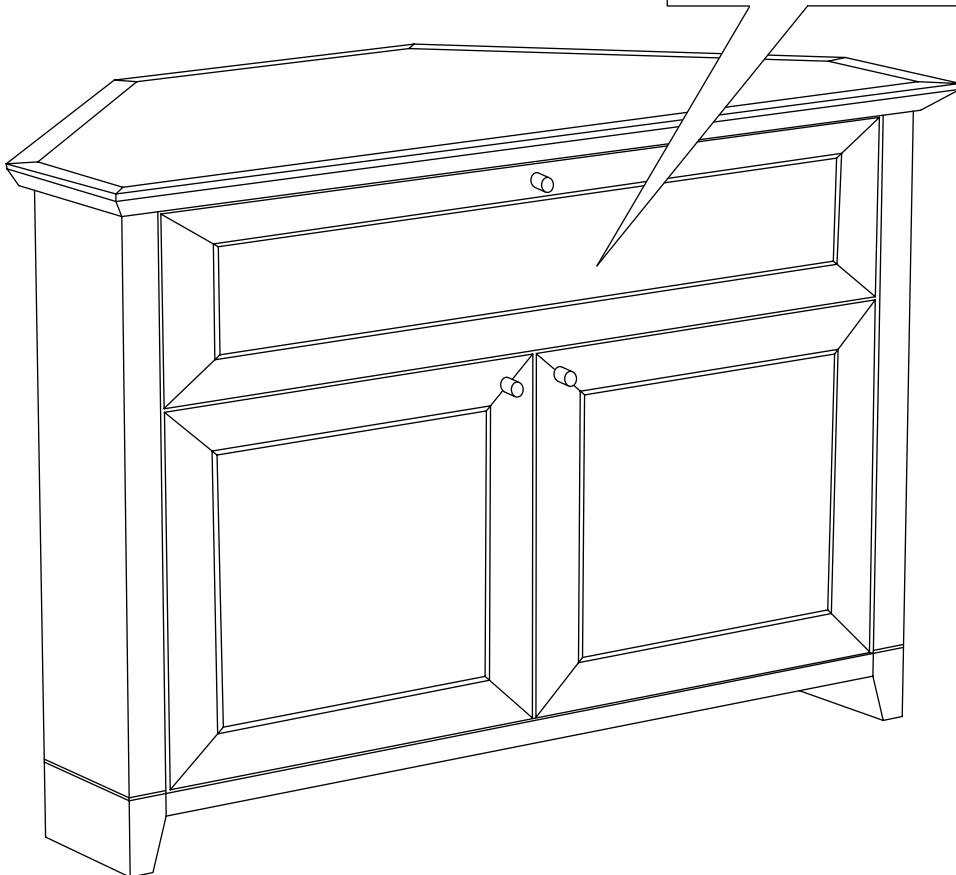


Option C

Side compartment may be used to accommodate a vertical standing video game unit. To do this, first remove the wood strip and then adjustable shelf.

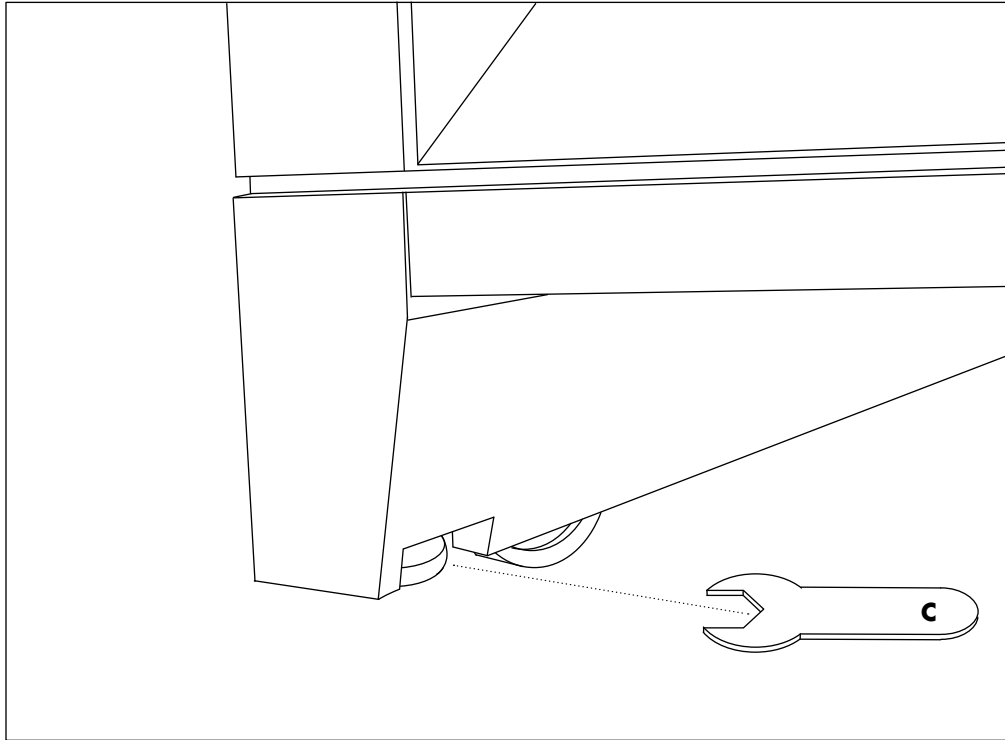


Optional glass panel insert is available. Contact BDI Customer Service at: customerservice@bdiusa.com

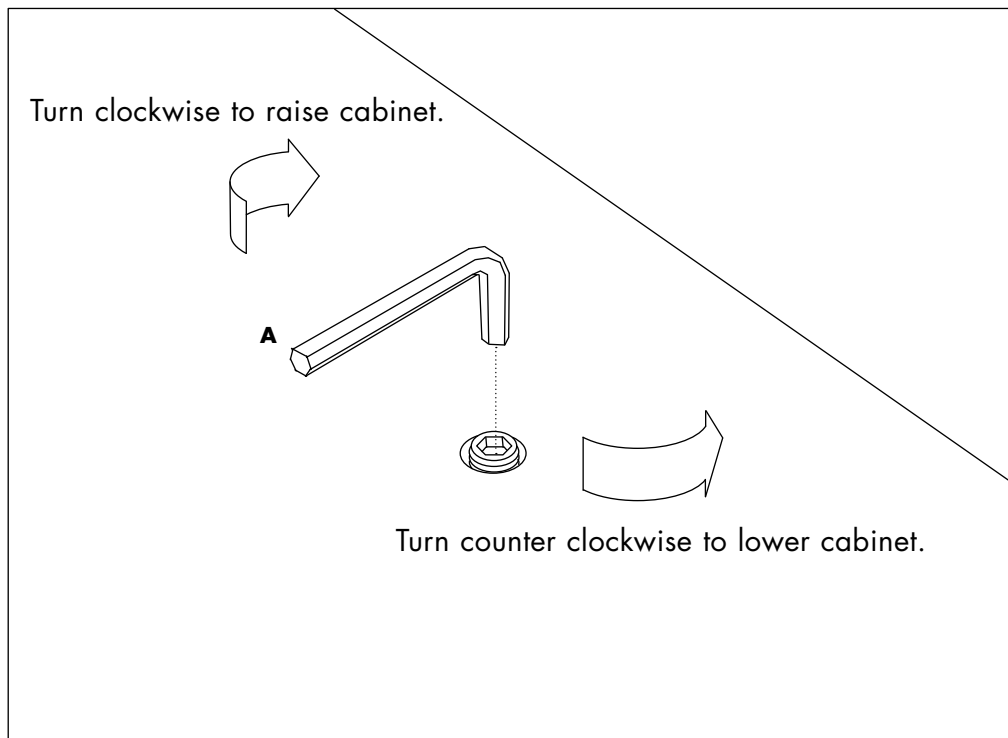


Step 5 Leveling

There are adjustable levelers on the bottom of the cabinet, which may be adjusted depending on your leveling situation.



Two of the four leveler glides are accessible near the bottom of the side panels using the **Leveler Wrench (C)**.



The other two adjustable leveler glides are located in the rear center of the bottom shelf. Use **Allen Wrench (A)** to adjust.

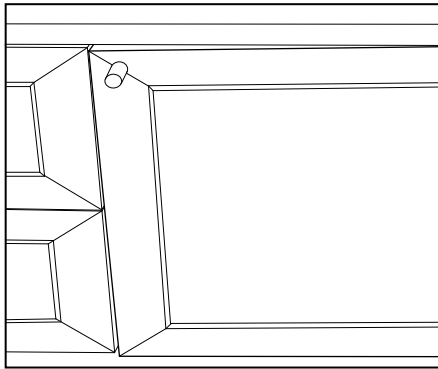
Fine-tuning your Novia Home Theater Cabinet

Your Novia home theater cabinet is engineered to allow a range of adjustments. Please read and retain this guide so that you can fully enjoy the look and use of your BDI cabinet for years to come.

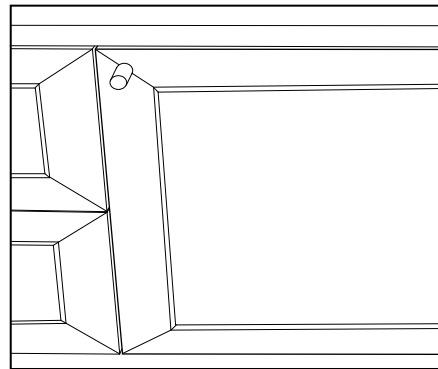
Due to uneven floors or perhaps gentle jostling during shipment, your BDI cabinet may not appear to be in perfect alignment when first assembled or when loaded with heavier electronic equipment. Such alignment issues are usually eliminated with only a few minor adjustments.

However, unless manual leveling is required, or you wish to prevent the cabinet from rolling, many users choose to keep the cabinet's levelers up and off the floor. This allows easier cabinet movement for greater access to rear panels and wire-management, and permits easier cleaning/vacuuming underneath the cabinet.

By following the simple steps in this guide, you can be sure that your BDI cabinet is in optimum tune. If you need additional assistance, contact BDI at customerservice@bdiusa.com.



INCORRECT! Door is out of alignment with the rest of the unit.



CORRECT! Door is sitting squarely and evenly spaced on tops and sides.

STEP 1 - Level your cabinet (if needed)

After unpacking and assembling your Novia cabinet, inspect it to be sure that it is resting level on the floor, that all doors appear level, and that they open and close freely without rubbing or binding.

Properly adjustment of the cabinet's levelers quickly corrects most panel-alignment issues. There are four (4) adjustable levelers on the bottom of the cabinet; each may be individually adjusted depending on your leveling scenario.

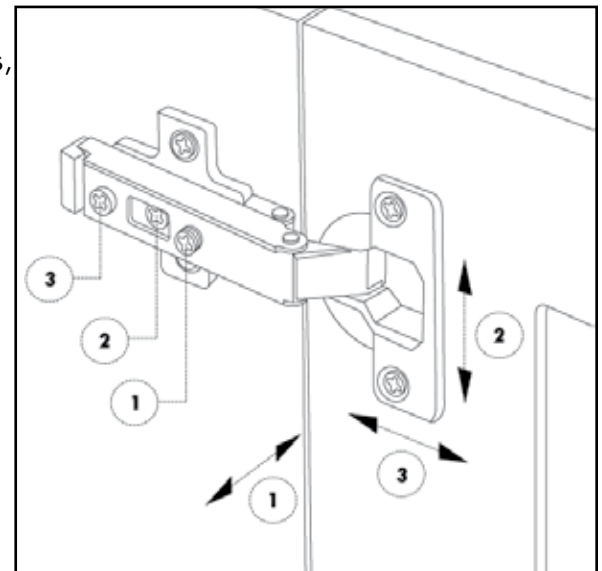
Two (2) of the levelers are accessible near the bottom of the side panels, near front and back, using the provided **Leveler Wrench (C)**.

Two (2) of the levelers are accessible from inside the cabinet—at the bottom panel, inside the center compartment—and are adjustable using the provided **Allen Wrench (A)**.

STEP 2 - Adjust Doors

If the cabinet's doors appear out of alignment, this condition can be corrected with minor adjustment to the European hinges on each door.

Because these hinges are infinitely adjustable, adjusting one hinge element can sometimes cause the need for adjustments to other elements. Depending on your scenario, patience as well as some trial and error may be called for. With a few adjustments, you can modify the orientation of the cabinet doors to make sure that they hang perfectly within your cabinet.



Adjustments may be made to Novia's door hinges with the use of the Phillips head screwdriver.

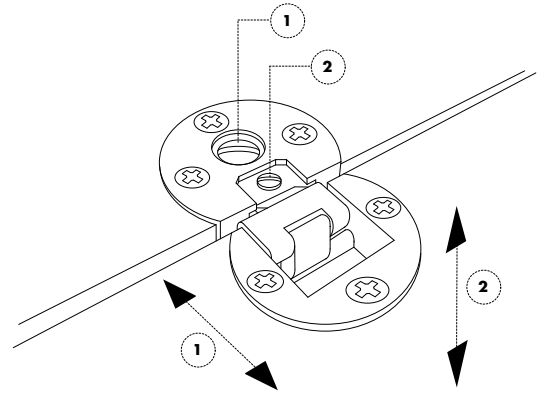
Each hinge assembly has three (3) adjustment screws:

- By adjusting Screw 1, the door will move left and right within the frame. Make minor adjustments at both top and bottom hinges for best results.
- By adjusting Screw 2, the door will move up and down within the frame (the top and bottom hinges must be adjusted the same amount).
- By adjusting Screw 3 will cause the entire door to move in and out, opening and closing the gap between the door frame and cabinet. This screw rarely needs adjustment.

Fine-tuning your Novia Home Theater Cabinet (continue)

Some BDI cabinets feature a 'flip-down' door with two round hinge assemblies and an articulating arm assembly. (Refer to the image.) By fine-tuning at each hinge location, you can noticeably adjust the overall door position.

Screw 1 adjusts the door position INward and OUTward.
The smaller screw, Screw 2, adjusts the door UP and DOWN.



Novia[®] 8421

Designed by BDI Design Studio.

These distinctive product configurations are protected by US and international patents, trade dress, and/or copyright laws. "Novia" and BDI are trademarks of Becker Designed, Inc. All Rights reserved. ©2008, BDI